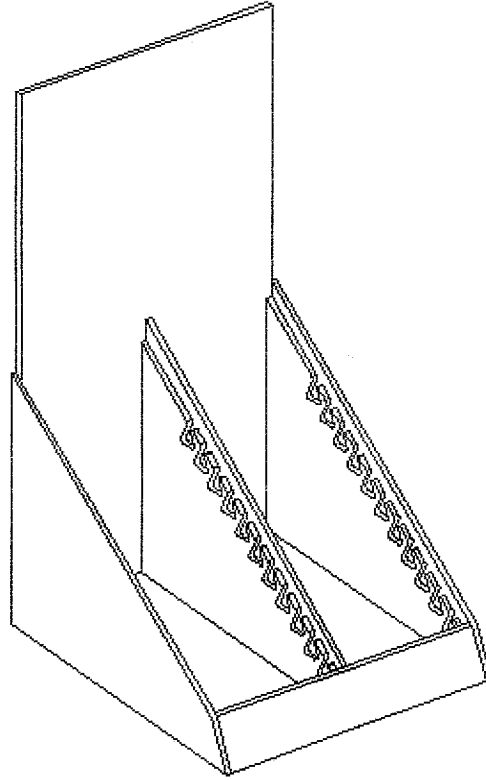
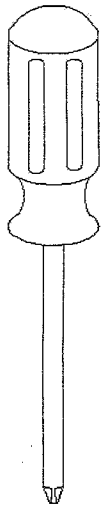


ASSEMBLY INSTRUCTIONS

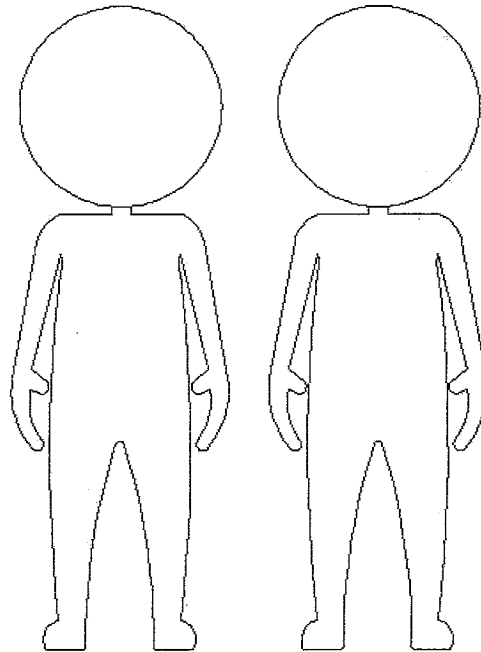


Required tools

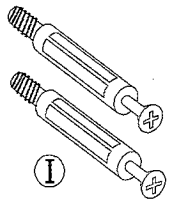


Screw Driver

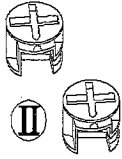
Assemble with two people



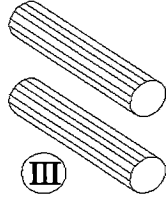
Hardware



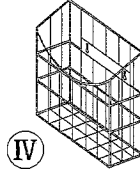
I



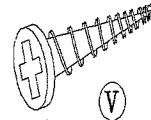
II



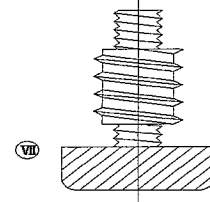
III



IV



V



VI

Adjustable anchor=1

Link Rod=27

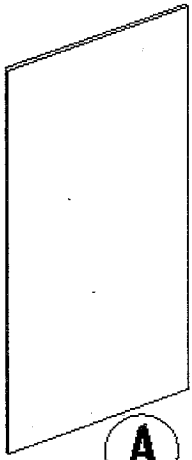
Eccentric Srew Nut=27

Wood Plug=14

Newspaper basket=1

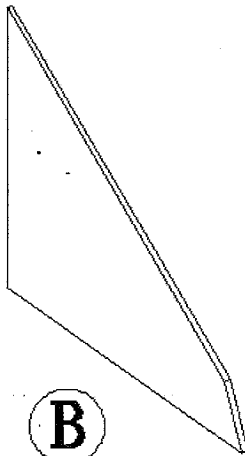
Screw (\varnothing 4*16mm) =2

Components



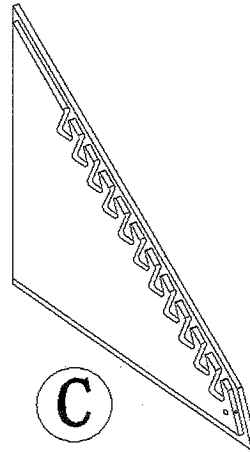
A

Back Panel=1



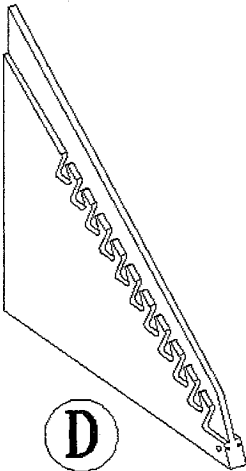
B

End Panel(L)=1



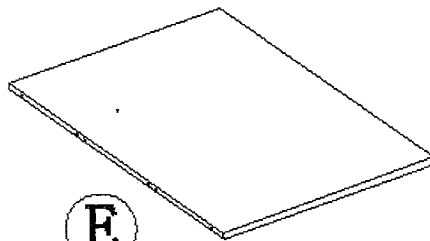
C

End Panel(R)=1



D

Neutral board=1



E

Bottom Panel=1

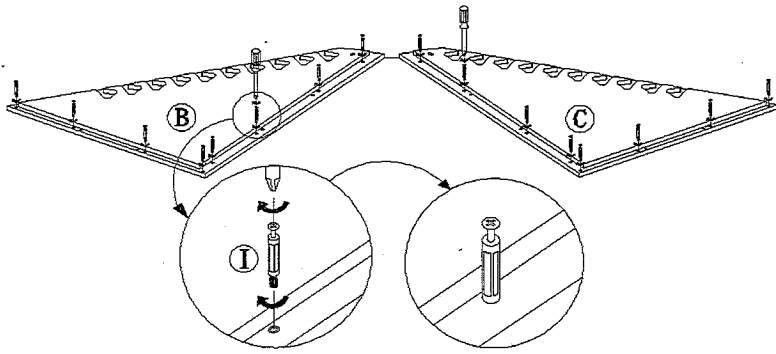


F

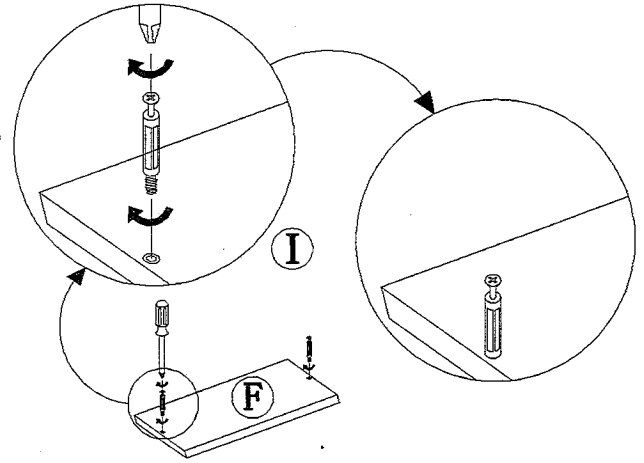
Front Baffle=1

ASSEMBLY

Step 1 Screw the Link Rod into the white Pre-Installed Screw Nut on two End panels, reference to drawing.

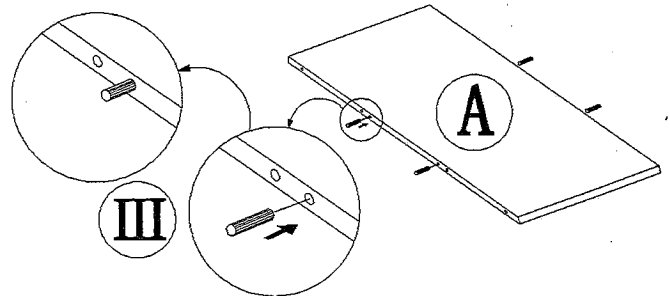
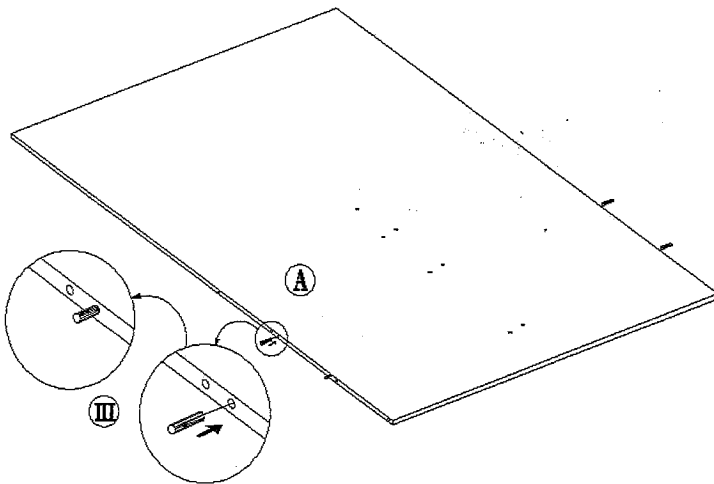


Step 2 Screw the Link Rod into the white Pre-Installed Screw Nut on Front Baffle, reference to drawing.

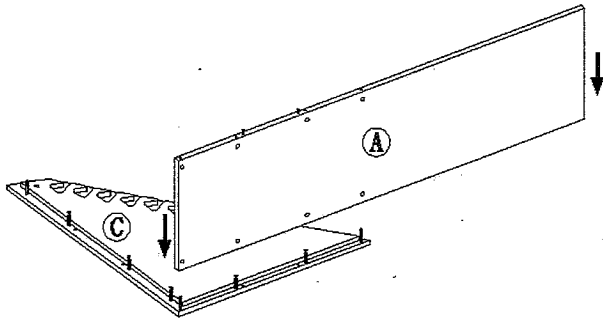


Step 3 Insert the Wood Plug into the matching holes on Back Panel, pay attention to the location, reference to drawing.

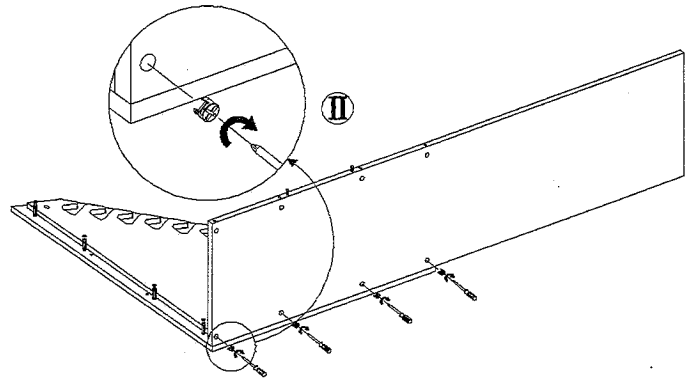
Step 4 Insert the Wood Plug into the matching holes on Bottom Panel, pay attention to the location, reference to drawing.



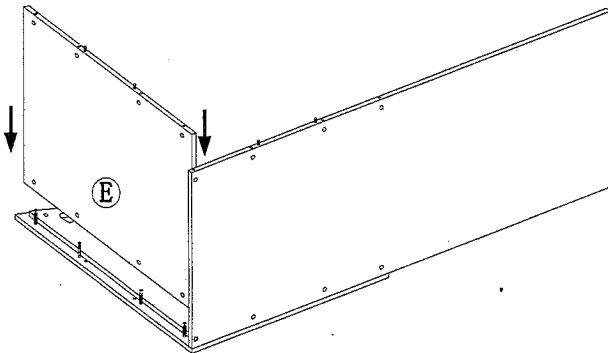
Step 5 Stand the Back Panel up, insert to the End Panel (L) at the matching position, reference to drawing.



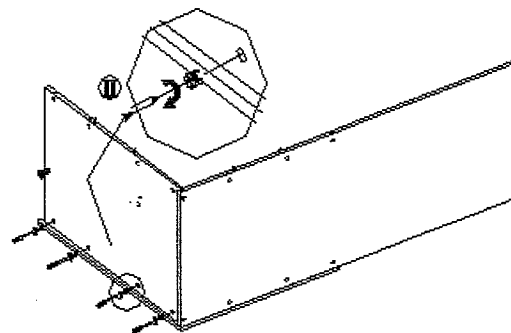
Step 6 Insert the Eccentric Screw Nut with opening downward into the holes on Back Panel, screw it follow the arrowhead direction on drawing, lock it.



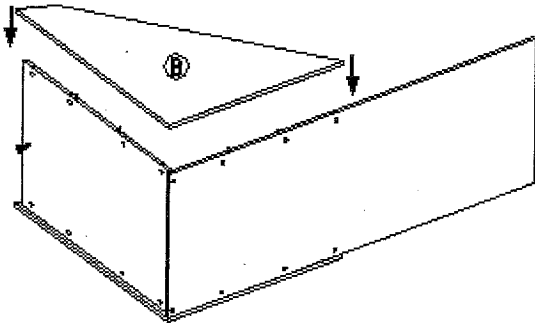
Step 7 Stand the Bottom Panel up, insert to the End Panel (L) matching position, reference to drawing.



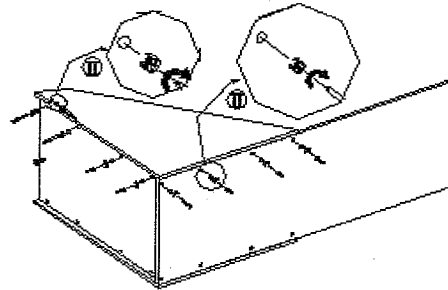
Step 8 Insert the Eccentric Screw Nut with opening downward into the holes on Bottom Panel, screw it follow the arrowhead direction on drawing, lock it.



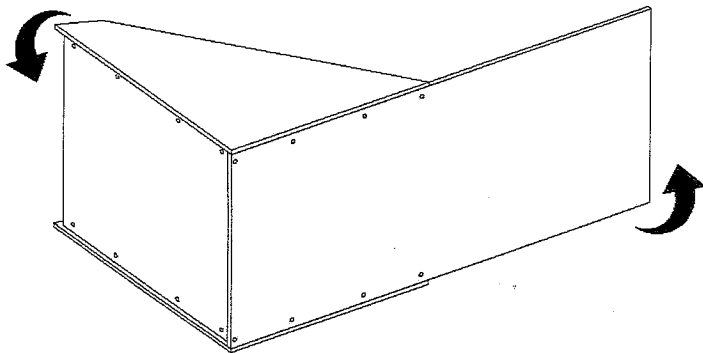
Step 9 Connected the End Panel(R) with Back Panel and Bottom Panel separately, reference to drawing.



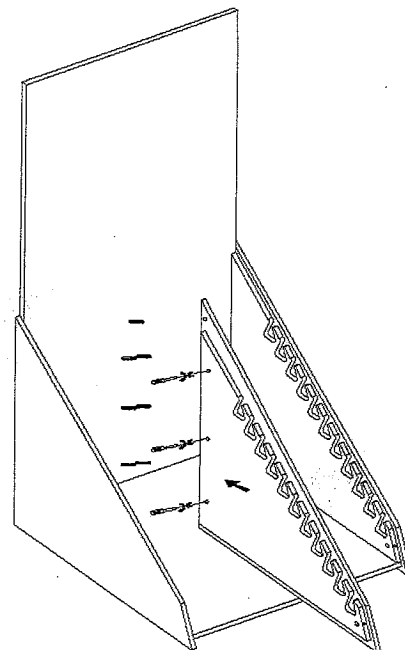
Step 10 Insert the Eccentric Screw Nut with opening upward to the holes on Back Panel and Bottom Panel, screw it follow the arrowhead direction on drawing, lock it.



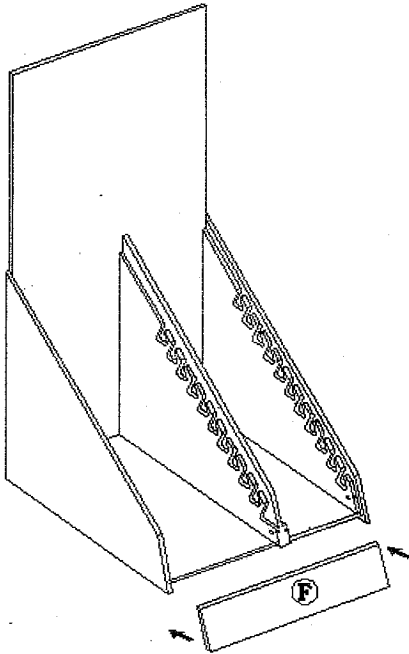
Step 11 Stand up the assembly products.



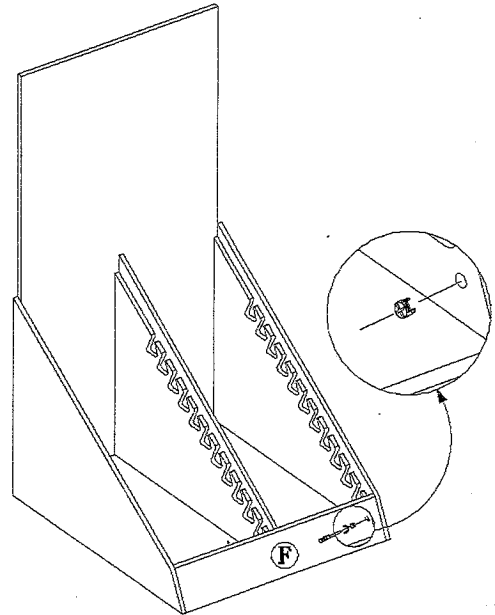
Step 12 Screw the Link Rod and Wood Plug into the matching holes on Back Panel,reference to drawing.Push the Neutral board follow the arrowhead direction, insert the Link Rod into holes., screw it follow the arrowhead direction on drawing, lock it.



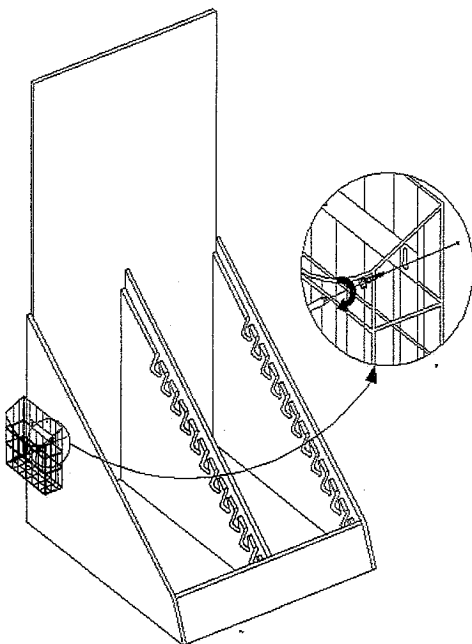
Step 13 Push the Front Baffle follow the arrowhead direction, insert the Link Rod into holes.



Step 14 Insert the Eccentric Screw Nut with opening toward to Front Baffle into holes on matching End Panel, screw it follow the arrowhead direction on drawing, lock it.



Step 15 Fix the Newspaper basket onto matching End Panel by inserting Screw ($\varnothing 4*16\text{mm}$) into pre-drilled screw holes.



Step 16 Congratulations, the Assembly work is well done!

